

Treasurer's Report—January 1—December 31, 1973

CASH

Cash on deposit—January 1, 1973	\$ 40,808
Deposits	1,037,081
	<u>\$1,077,889</u>
Disbursements	1,004,780
Cash on deposit—December 31, 1973	\$ 73,109
Petty cash fund	200
<i>Total Cash Deposit and On Hand—General Fund—</i>	
<i>December 31, 1973</i>	<u>\$ 73,309</u>

RESERVE FUND

CASH

Cash on deposit	\$ 9,230
Accrued Interest	3,087

INVESTMENTS, at cost

Corporate Bonds	\$ 98,746
Common stocks	109,993

Total Investment—Reserve Fund \$208,739

Total Cash and Investments—Reserve Fund—
December 31, 1973 \$221,056

Total Cash and Investments—General and
Reserve Funds—December 31, 1973 \$294,365

Respectfully submitted, ROBERT M. SMITH, *Treasurer*

Errata

A Unique Timing Reference System for Broadcast Videotape Recorders

By Bert H. Dann
FEBRUARY 1974 JOURNAL, pp. 100-104

Three errors occurred in the illustrations for this paper.

The diagram shown as Fig. 5, p. 103, was incomplete; a corrected version is given at the right.

The photographs on p. 104 corresponding to Figure captions 6 and 7 were transposed.

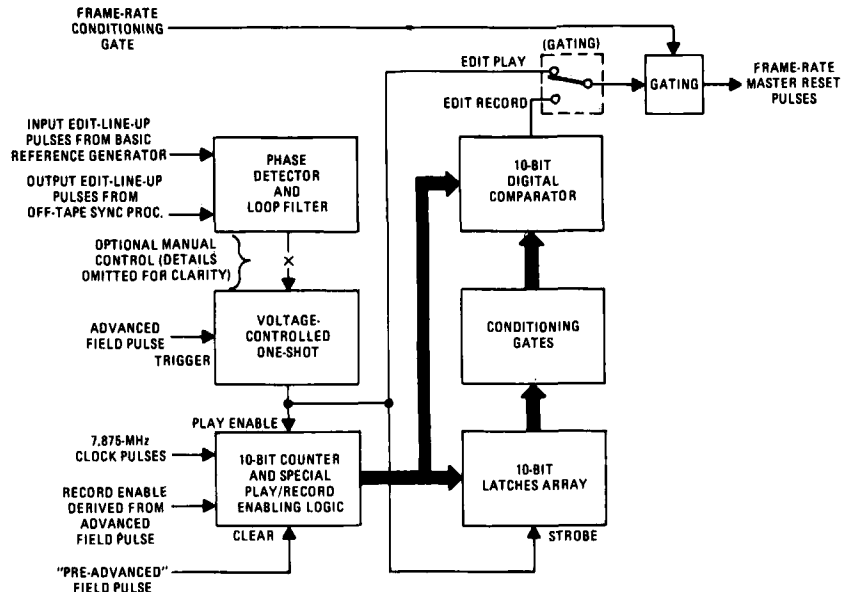


Fig. 5. Simplified block diagram of digital delay system — edit modes.

The Role of Super 8 in Photographic Surveillance

By Charles M. Wall
MARCH 1974 JOURNAL, pp. 192-193

The caption for Figure 3 stated incorrectly that the Nizo camera was made in Japan. It should have read:

Fig. 3. Nizo camera made in Germany.

Directory for Members, March 1974

On page 8, three Sections' Membership Chairmen were listed incorrectly. They should read as follows:

FLORIDA-CARIBBEAN: Francis M. Flynn
NEW YORK: George Perno, Frederick R. Nobbs, Jr.
PACIFIC NORTHWEST: Stephen D. Kerman

On page S10, in the Sustaining Member description for Frez-zolini Electronics, Inc., on the eighth line, *instead of: Model MS-571-DC read: Model MC-571-DC*

standards and recommended practices

Approved American National Standards

On 22 February 1974, the American National Standards Institute approved three standards which are editorial revisions of earlier issues: PH22.59-1974, Dimensions of 35mm Motion-Picture Camera Aperture Image; PH22.141-1974, Dimensions for 32mm Motion-Picture Film, 2R; and PH22.142-1974, Dimensions for 32mm Motion-Picture Film, 4R.

PH22.59 has been modified to be in agreement with the comparable ISO Standard. Minor changes do not significantly affect U.S. practices.

PH22.141, a revision of PH22.71-1965 and PH22.141-1965, combines the specifications applicable to 32mm film having two

rows of perforations and a perforation pitch of either 0.2994 or 0.3000 inch.

PH22.142 consolidates the revision of PH22.72-1965 and PH22.142-1965 for the same format except that the film has four rows of perforations.

Inasmuch as compliance with American National Standards is purely voluntary, these standards will become truly effective when broad publicity is given to their existence. ANSI and SMPTE would appreciate any personal influence to promote the use of these standards where such action is appropriate. Copies of the standards may be obtained for a nominal fee from the American National Standards Institute, 1430 Broadway, New York, NY 10018.—Alex E. Alden, *Staff Engineer*