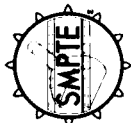


SMPTE STANDARD for Motion-Picture Film (35-mm) — Perforated BH



Page 1 of 2 pages

1 Scope

This standard specifies the cutting and perforating dimensions for 35-mm motion-picture film with a BH-type perforation and a perforation pitch of either 0.1866 in or 0.1870 in (4.740 mm or 4.750 mm).

3.2 The dimensions pertain to safety film as defined in ANSI/SMPTE 223M-1991.

3.3 The dimensions apply at the time of cutting and perforating for film adjusted to a temperature of 23°C ± 1°C (nominally converted to 73°F ± 2°F) and a relative humidity of (50 ± 2)%. The manufacturer may indicate other nominal temperature and humidity conditions under which the dimensions apply.

3.4 Dimension H is a calculated value, without corner radii.

2 Normative reference

The following standard contains provisions which, through reference in this text, constitute provisions of this standard. At the time of publication, the edition indicated was valid. All standards are subject to revision, and parties to agreements based on this standard are encouraged to investigate the possibility of applying the most recent edition of the standard indicated below.

ANSI/SMPTE 223M-1991, Motion-Picture Film — Safety Film

3 Dimensions

3.1 The dimensions shall be as given in figure 1 and table 1.

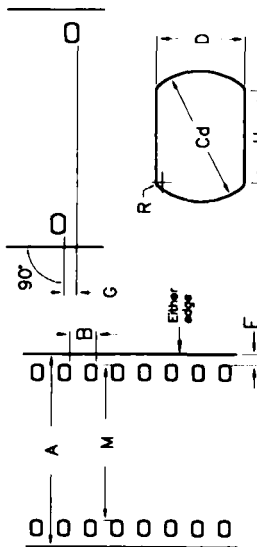


Figure 1

CAUTION NOTICE: This Standard may be revised or withdrawn at any time. The procedures of the Standard Developer require that action be taken to reaffirm, revise, or withdraw this Standard no later than five years from the date of publication. Purchasers of standards may receive current information on all standards by calling or writing the Standard Developer.

Copyright © 1992 by THE SOCIETY OF
MOTION PICTURE AND TELEVISION ENGINEERS
5700 Reservoir Ave., White Plains, NY 10607
(914) 761-1100



Approved
January 20, 1992

Table 1

	Dimensions	Inches	Millimeters
A	Film width	1.377 ± 0.001	34.975 ± 0.025
B	Perforation pitch (long)	0.1870 ± 0.0004	4.750 ± 0.010
B'	Perforation pitch (short)	0.1866 ± 0.0004	4.740 ± 0.010
C _d	Perforation width (diameter)	0.1100 ± 0.0004	2.794 ± 0.010
D	Perforation height	0.0730 ± 0.0004	1.854 ± 0.010
E	Edge to perforation	0.079 ± 0.002	2.01 ± 0.05
G	Perforation misalignment	0.001 max	0.03 max
H	Perforation chord width (BH perforation)	0.082 calculated	2.08 calculated
L	100 consecutive perforation pitches (long)	18.700 ± 0.015	474.98 ± 0.38
L'	100 consecutive perforation pitches (short)	18.660 ± 0.015	473.96 ± 0.38
M	Lateral perforation displacement	1.109 ± 0.001	28.17 ± 0.03
R	Radius of corners	0.005 max	0.13 max

NOTE — The metric conversion of dimension A is purposely chosen and shown to three decimal places to prevent the maximum width dimension from exceeding 35 mm.

Annex A (informative) Additional data

A.1 The user is reminded that, as a plastic, film can change dimensions temporarily due to moisture or temperature, or permanently due to solvent loss or strain effect.

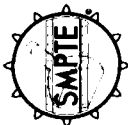
A.2 Film for positive use has a longitudinal pitch 0.2% longer than its companion negative. Shrinkage of the negative during aging and processing prior to printing will generally not exceed 0.2%. Thus, the negative stock is expected to be 0.3% ± 0.1% shorter than the positive. This difference will minimize slippage between the two on the 12 in (305 mm) circumference sprocket of the printer, assuming a film thickness of 0.0055 in to 0.0065 in (0.140 mm to 0.165 mm).

A.3 The uniformity of pitch, hole size, and margin (dimensions B, C_d, D, and E) are important variables affecting steadiness. Variations in these dimensions from roll to roll

are of little significance compared to variations from one perforation to the next within any small group of consecutive perforations. As an example, the uniformity of the margin is uniquely critical for optical printing. During the printing process, the placement of the image on the film is usually with respect to successive lateral pairs of perforations at one-frame intervals. During subsequent projection, however, the portion of the image projected is usually located, not by these perforations, but by the edge of the film. The lateral steadiness of the projected image is, therefore, directly related to the frame-to-frame uniformity of the margin.

A.4 For historical background on the development of this standard, refer to A. J. Miller and A. C. Robertson, "Motion-picture film — its size and dimensional characteristics," Jour. SMPTE, 74, 3-11, Jan. 1965.

SMPTE STANDARD

for Television —
Digital Control Interface —
Electrical and Mechanical
Characteristics

Page 1 of 12 pages

1 General

1.1 Scope

This standard defines the electrical and mechanical characteristics of an interface system comprised of a general-purpose communication channel and interface device(s) used for the transfer of data and digital control signals between equipment utilized in the production, post-production, and/or transmission of visual and aural information. It is intended that the communication channel and device(s) described in this standard be part of an overall equipment interface, allowing interconnection of programmable and nonprogrammable control and accessory equipment as required to configure an operational system with a defined function. The standard is also intended to allow rapid reconfiguration of a system providing more than one defined function utilizing a given group of equipment.

1.1.1 The electrical and mechanical specifications set forth in this standard are intended for use in both fixed plant and field operational environments. These specifications take into account the requirement to function reliably without causing undue interference with other signals normally found in these environments.

1.1.2 This standard defines the electrical and mechanical characteristics of the communication channel and the associated interface device(s), to the exclusion of design specifications, performance requirements, safety requirements, and the communications protocol used in or by such equipment.

1.1.3 The primary intent of this standard is to establish an electrical and mechanical interface and communication channel for the purpose of interconnecting equipment by external means.

This standard, or sections thereof, may be applied to the interconnection of elements within an item of equipment.

1.2 Definitions

For the purposes of this standard, the following definitions shall apply:

1.2.1 **equipment:** Either a single device which connects to the interface system or a group of interconnected devices, providing a specified operational function, having one common connection to the interface system.

1.2.2 **interface bus:** Refers to the communication channel.

1.3 Object

The intent of this standard is to:

- Define a general-purpose interface system for use in the environment specified in 1.1;
- Specify equipment-independent electrical, mechanical, and functional interface characteristics which permit equipment to connect and communicate unambiguously via the interface system;
- Specify terminology and definitions related to the electrical and mechanical portion of the interface system;
- Enable the interconnection of independently manufactured equipment into a single functional system;
- Permit equipment with a wide range of operational capabilities to be connected to the interface system simultaneously;

CAUTION NOTICE: This Standard may be revised or withdrawn at any time. The procedures of the Standard Developer require that action be taken to reaffirm, revise or withdraw this standard no later than five years from the date of publication. Purchasers of standards may receive current information on all standards published in USA by writing the Standard Developer.

Copyright © 1992 by THE SOCIETY OF
MOTION PICTURE AND TELEVISION ENGINEERS
595 W. Hartsdale Ave. White Plains, NY 0607
(914) 751-1700

American National Standard

Approved
January 20, 1992

ANSI/SMPTE 207M-1992

- Define a system which is user configurable;
- Define a system based on readily obtainable standard components.

1.4 Interface system overview

1.4.1 This standard applies to systems, or portions of systems, which have the following characteristics:

- A full-duplex four-wire communications channel is utilized;
- A nominal maximum bus length of 1220 m (4003 ft);
- Data is transmitted asynchronously, bit serial/word serial;
- Standard transmission rate on the interface bus is 38.4 kilobits per second (kb/s);
- Data exchange between devices is digital (as distinct from analog).

1.4.2 The function of the interface system is to provide an effective communications link over which messages are carried in an unambiguous way among a group of interconnected devices.

1.4.3 The interface system described in this standard assigns one of two operational characteristics to all devices:

1.4.3.1 Bus controller

Each interface system contains one bus controller which supervises all tributaries in the system. This supervision is exercised through the use of interface protocol. The bus controller may also perform one or more functions in the operational plant in addition to its interface supervision. Although only one bus controller may be part of any particular interface system, it is recognized that an operational plant may make use of more than one interface system.

1.4.3.2 Tributary

A tributary transfers messages to and from an operational device via the interface system as specified in the interface system protocol. A tributary communicates messages through the interface bus only via the bus controller.

1.4.4 The basic message paths and the bus structure shall be as follows:

The basic message path utilizes asynchronous, bit serial/word serial transmission via a balanced wire pair

The interface bus may be utilized in either point-to-point or multipoint configuration including but not limited to:

- A point-to-point bus connecting one tributary to a bus controller;
- A multipoint bus connecting multiple tributaries to a single bus controller.

The interface bus is a four-wire configuration which will effect two-way communication using a separate wire pair for each transmission direction; communication between tributaries is accomplished through the bus controller.

1.4.5 The data word and BREAK character utilized by the interface system shall be as follows:

The standard serial data word includes an eight-bit data byte; the complete serial data word consists of one start bit (SPACE), eight data bits (ONE BYTE), a parity bit (EVEN), and one stop bit (MARK). The least significant bit is transmitted first.

A BREAK character, comprising 17-21 bits, SPACE followed by a subsequent return to the MARK condition, is utilized to synchronize all devices connected to the interface bus.

A SPACE in excess of 21 bits shall be treated as an ERROR condition.

2 Electrical characteristics

2.1 Interface circuit

The balanced voltage digital interface circuit is shown in figure 1. The circuit consists of three parts: the generator, the balanced interconnecting cable, and the load. The load may consist of one or more receivers (R) and an optional cable termination resistance (R_t). The electrical characteristics of the generator and receiver are specified in terms of direct electrical measurements while the interconnecting cable is

specified in terms of its electrical and physical characteristics.

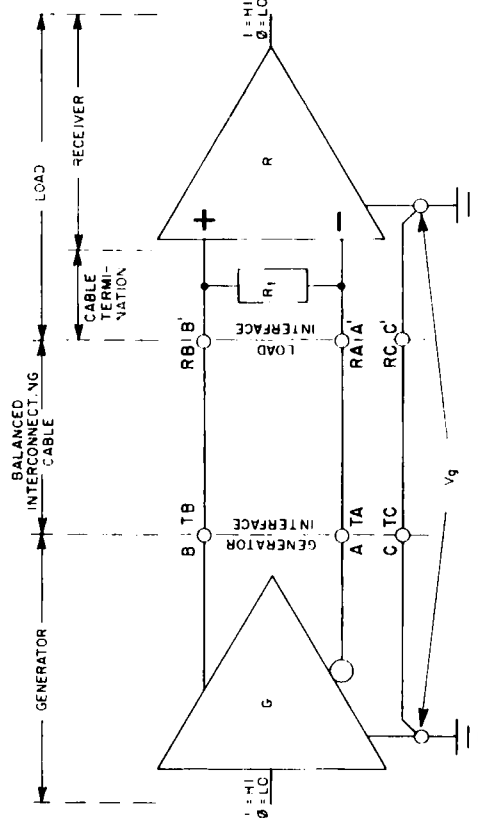
2.2 Generator characteristics

The electrical characteristics of the generator are specified in accordance with measurements described in 2.2.1 through 2.2.6 and illustrated in figures 2 and 3. A generator circuit meeting these requirements results in a low impedance (100 ohms or less) balanced voltage source producing a differential volt-

age applied to the interconnecting cable in the range of 2 to 6 volts. The signalling sense of the voltages appearing across the interconnecting cable are defined as follows:

The B terminal of the generator shall be positive with respect to the A terminal for a binary 1 (MARK) state.

The B terminal of the generator shall be negative with respect to the A terminal for a binary 0 (SPACE) state.



- LEGEND
- R₁ : CABLE TERMINATION RESISTANCE
 - V_g : GROUND POTENTIAL DIFFERENCE
 - A, B : GENERATOR INTERFACE POINTS
 - A', B' : LOAD INTERFACE POINTS
 - C : GENERATOR CIRCUIT GROUND
 - C' : LOAD CIRCUIT GROUND

Figure 1 - Balanced digital interface circuit

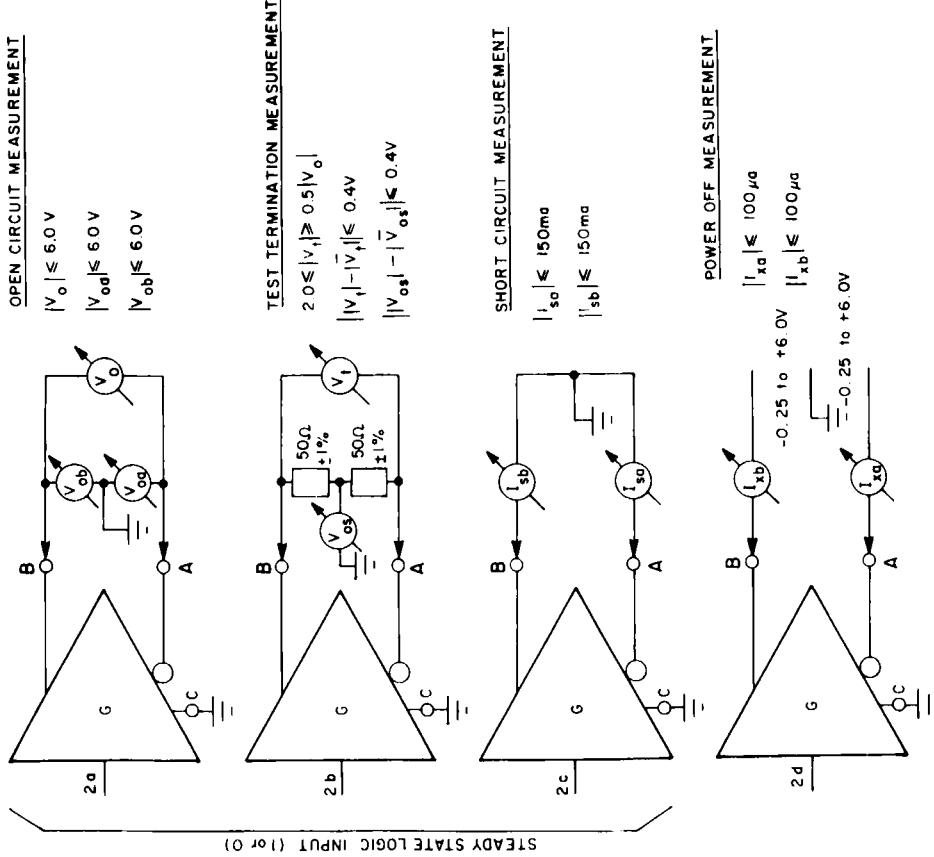


Figure 2 - Generator parameter measurement

2.2.1 Open circuit measurement for either binary state shall be made in accordance with figure 2a. The results of this measurement shall be as follows:

The magnitude of the differential voltage (V_o) measured between the two generator output terminals shall not be more than 6.0 volts.

The magnitude of the voltage between either of the generator output terminals and generator ground (V_{oa} and V_{ob}) shall not be more than 6.0 volts.

2.2.2 The test termination measurement shall be made with a test load of two resistors, 50 ohm \pm 1%, connected in series between the generator output terminals as shown in figure 2b. The results of this measurement shall be as follows:

The magnitude of the differential voltage (V_t) measured between the two output terminals shall not be less than either 2.0 volts or 50% of the magnitude of V_o , whichever is greater. For the opposite binary state the polarity of V_t shall be reversed (V_t).

The magnitude of the difference in magnitudes of V_t and V_t shall be less than 0.4 volts.

The magnitude of the generator offset voltage, V_{os} , measured between the center point of the test load and generator circuit, shall not be greater than 3.0 volts.

The magnitude of the difference in the magnitudes of V_{os} for one binary state and V_{os} for the opposite binary state shall be less than 0.4 volts.

2.2.3 The short-circuit measurement shall be made with the generator output terminals short-circuited to generator circuit ground as illustrated in figure 2c. The magnitudes of the currents flowing through each generator output terminal during this test shall not exceed 150 milliamperes for either binary state.

2.2.4 The power-off measurement shall be made under power-off conditions and as illustrated in figure 2d. The magnitude of the generator output leakage currents (I_{xa} and I_{xb}), with voltages ranging between +6.0 volts and -0.25 volts applied between each output terminal and genera-

tor circuit ground, shall not exceed 100 microamperes.

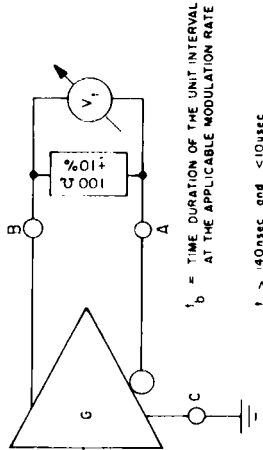
2.2.5 The output signal waveform measurement shall be made using a test load consisting of a noninductive resistor with a value of 100 ohms \pm 10% connected between the generator output terminals, as illustrated in figure 3. During transitions of the generator output between alternating binary states (one-zero-one-zero, etc.), the differential signal measured across the test load shall be such that the voltage monotonically changes between 10% and 90% of V_{ss} at not less than 140 nanoseconds. Thereafter, the signal voltage shall not vary more than 10% of V_{ss} from the steady state value, until the next binary transition occurs. At no time shall the instantaneous magnitude of V_t or V_t exceed 6.0 volts or be less than 2.0 volts. V_{ss} is defined as the voltage difference between the steady state voltages of the generator output.

2.2.6 The generator output shall be capable of being placed in a high-impedance state and when in such state shall withstand a common mode voltage swing of up to 7 volts.

2.3 Load characteristics

The load consists of one or more receivers (R) and an optional cable termination resistance (R_t) as shown in figure 1. The electrical characteristics of a single receiver excluding both cable termination and fail-safe provision are specified in terms of the measurements described in 2.3.1 through 2.3.7 and illustrated in figures 4 through 6. A circuit meeting these requirements results in a differential receiver having a high-input impedance (> 4 kilohms), a small input threshold transition region between -0.5 volts and +0.5 volts, and allowance for an internal bias voltage not to exceed 3 volts in magnitude.

2.3.1 The input current/voltage measurements shall be made with the voltage V_{ia} (or V_{ib}) ranging between -10.0 volts and +10.0 volts, while V_{ib} (or V_{ia}) is held at 0.0 volts (ground). This measurement shall be made with the power supply to the receiver in both the power-on and power-off condition. The resultant input current I_{ia} (or I_{ib}) shall remain within the shaded region shown in figure 4.



t_r = TIME DURATION OF THE UNIT INTERVAL AT THE APPLICABLE MODULATION RATE

$t_r \geq .40 \text{ nsec}$ and $< 10 \text{ usec}$

V_{ss} = DIFFERENCE IN STEADY STATE VOLTAGES

$V_{ss} = |V_t - V_t|$

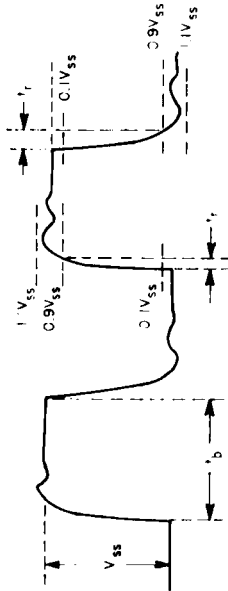


Figure 3 - Generator output signal waveform

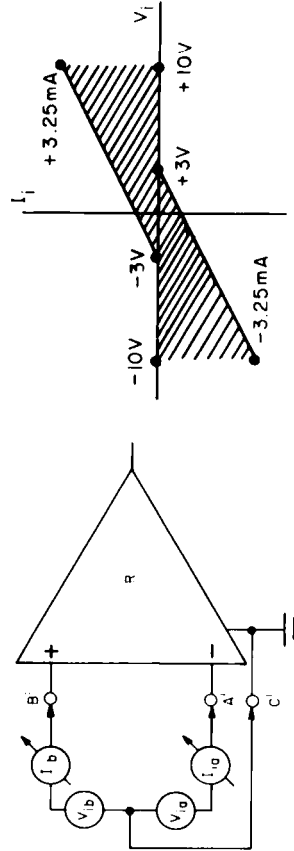


Figure 4 - Receiver input current-voltage measurement

2.3.2 The input sensitivity measurement shall be made as illustrated in figure 5 over the entire common mode voltage (V_{cm}) range of -15 volts to +15 volts. The receiver shall not require a differential input voltage of more than 500 millivolts to correctly assume the intended binary state. Reversing the polarity of V_i shall cause the receiver to assume the opposite binary state. The receiver is required to maintain correct operation for differential input signal voltages ranging between 500 millivolts and 6 volts in magnitude. The maximum voltage (signal plus common mode) present between either receiver input terminal and receiver circuit ground shall not exceed 25 volts in magnitude. Application of voltages less than the maximum voltage (signal plus common mode) of 25 volts or a maximum differential signal of 15 volts at the receiver input terminals shall not result in operational failure of the receiver. The common mode voltage (V_{cm}) is defined as the algebraic mean of the two voltages appearing at the receiver input terminals (A' and B') with respect to the receiver circuit ground (C'). (Designers of terminating hardware should be aware that slow signal transitions with noise present may give rise to instability or oscillatory conditions in the receiving device and appropriate techniques should be implemented to prevent such behavior. For example, adequate hysteresis may be incorporated into the receiver to prevent this condition.)

2.3.3 The input balance measurement shall be made as illustrated in figure 6. The balance of the receiver input voltage/current characteristics and bias voltages shall be such that the receiver will remain in the intended binary state when a differential voltage (V_i) of 500 millivolts is applied through 500 ohms $\pm 1\%$ to each input terminal and V_{cm} is varied between -15 volts and +15 volts. When the polarity of V_i is reversed, the opposite binary state shall be maintained under the same conditions.

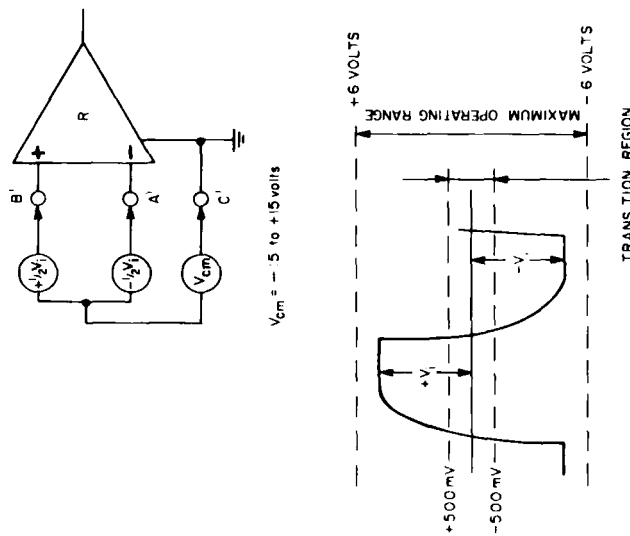


Figure 5 - Receiver input sensitivity measurement

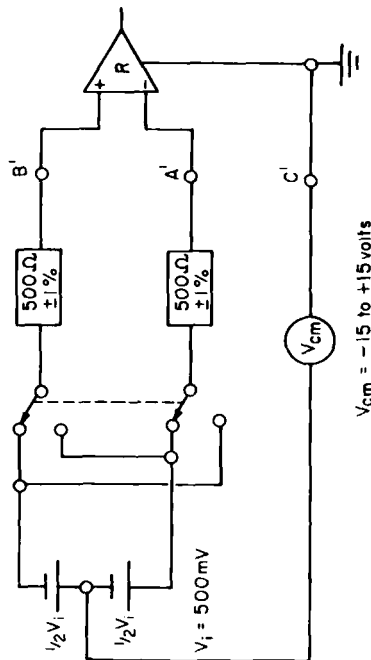


Figure 6 - Receiver input balance measurement

2.3.4 The use of a noninductive cable termination resistance (R_t) is recommended. A distributed resistive load or a combined R/C load may be required in some cases (see 4.2.1) and the use of an active cable termination resistance is desirable for the purpose of reducing cross coupling when the bus controller is placed in a high impedance state (see 4.2.2). Care shall be taken not to exceed the limits on total load resistance or sensitivity. Refer to 2.3.7 for limits on the total load resistance.

- Generator not implemented (signal leads may or may not be present);
- Open connector (both signal leads and the common signal return are open simultaneously).

2.3.7 The total load characteristics, including multiple receivers, fail-safe provision, and cable termination shall have a combined resistance greater than 90 ohms between its input points (A and B (figure 1)) and shall not require a differential input voltage of more than 500 millivolts for all receivers to assume the intended binary state.

2.4 Interconnecting cable characteristics

The physical and electrical characteristics of the interconnecting cable are given in 2.4.1 through 2.4.4 with additional guidance given in clause 4. An interconnecting cable conforming to this standard will result in a transmission line with a nominal characteristic impedance in the order of 100 ohms at frequencies greater than 100 kilohertz, and a DC series loop resistance not exceeding 240 ohms over an operational loop length of nominally 1220 m. The cable may be composed of twisted or nontwisted (flat cable) conductors possessing the characteristics described in 2.4.1 through 2.4.4. Most commonly available cable used for telephone applications (noloaded) will meet these specifications.

2.3.6 The interface system shall fail safe. This shall be accomplished by automatic disconnection of a tributary from the interface system in the event of a malfunction or power failure and incorporating in the receiver provisions to provide a steady binary MARK to protect against the following conditions:

- Generator power off;
- Generator in high-impedance state;
- Both signal wires open or shorted (signal common return still connected);

2.4.1 Each conductor of the interconnecting cable shall be composed of either a stranded or solid copper wire conductor with uniform overall diameter of at least 0.5 mm (0.02 in). Use of noncopper conductors is allowed providing they are of sufficient size to yield a DC wire resistance not exceeding 10 ohms per 100 m (30 ohms per 1000 ft) per conductor.

2.4.2 Mutual pair capacitance, that is, the capacitance between one wire in the pair and the other wire in the pair, shall not exceed 65 picofarads per meter (20 picofarads per ft) and the value shall be reasonably uniform over the entire length of the cable.

2.4.3 Stray capacitance, the capacitance between one wire in the cable and all others in the cable sheath with all others connected to ground, shall not exceed 130 picofarads per meter (40 picofarads per ft) and shall be reasonably uniform over the entire length of the cable for any given conductor.

2.4.4 Pair-to-pair balanced crosstalk is defined as the crosstalk between one pair of wires and any other pair of wires in the same cable. This crosstalk shall be attenuated a minimum of 40 dB when measured at 150 kHz with each cable pair terminated in its characteristic impedance tested in the circuit in which it is to be used.

2.5 Environment

A balanced-voltage digital interface circuit conforming to this standard will perform satisfactorily at a data rate of 38.4 kb/s providing that the following operational constraints are simultaneously observed:

The interconnecting cable length is a nominal maximum 1220 m and the cable is appropriately terminated.

The common mode voltage at the receiver is less than 15 volts (peak). Common mode voltage is defined as an uncompensated combination of the generator/receiver ground potential difference, the generator offset voltage (V_{GS}), and the longitudinally coupled peak random noise voltage, measured between the receiver circuit ground and cable, with the generator end of the cable short-circuited to ground.

2.6 Circuit protection

The balanced-voltage digital interface generator and receiver device, in either the power-on or power-off condition and complying with this standard, shall not be damaged under the following conditions:

- Generator open circuit.
- Short-circuit across the balanced interconnecting cable.
- Short-circuit to any other lead using electrical characteristics in compliance with this standard.
- Short-circuit to ground.

NOTE - The faults above may cause the power dissipation in the interface device to approach the maximum power dissipation tolerable by a typical integrated circuit (IC) package. Caution should, therefore, be exercised when multiple generators or receivers are implemented in a single IC package since only one such fault per package may be tolerated at any one time without experiencing IC failure. It should also be noted that the generator and receiver device(s) complying with this standard may be damaged by spurious voltages applied between the input/output terminals and circuit ground. In applications where the interconnect cable may be subject to severe electromagnetic environment or the possibility exists that it may be inadvertently connected to circuits not in compliance with this standard, additional protection should be employed as may be appropriate.

3 Mechanical characteristics

3.1 Interface connector

The interface connector shall be a 9-pin D-subminiature female (DE-9S) with metric (M2.6) female screw-lock. A single interface connector shall be associated with any particular tributary device. Multiple interface connectors may be utilized on a bus controller in the case of a multipoint system or when the bus controller must communicate with more than one interface system.

3.2 Pin assignment

The pin assignments for the bus controller and tributary shall be as shown in figure 7. Use of the spare pin for unspecified communication or supervision is not in compliance with this standard. If used, it may not interfere with the normal operation of the standard interface system.

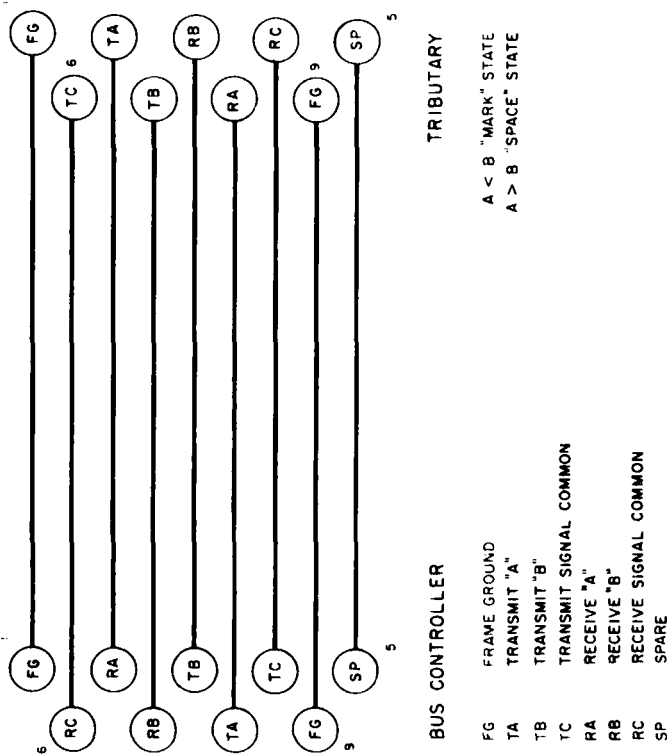


Figure 7 - Connector pin assignment.

4 Guidelines

When interconnecting equipment using the interface system described in this standard, consideration should be given to some of the problems that may be encountered due to the characteristics of the interconnecting cable, cable termination, the number of devices in use, and grounding arrangements.

4.1 Cable

The electrical characteristics of the interconnecting cable are specified in 2.4. The following is intended to be used as additional guidance when considering the operational constraints placed on the system by the cable parameters.

4.1.1 The maximum length of cable separating the generator and receiver (load) is a function of modulation rate (influenced by the tolerable signal distortion), transmission losses, the amount of longitudinally coupled noise, and ground potential difference introduced between the generator and receiver circuit grounds as well as by cable balance. Increasing the physical separation and interconnecting cable length between the generator and receiver (load) interface points increases the system exposure to common mode noise, signal distortion, and the effects of cable imbalance. Users are advised to restrict cable length to the minimum consistent with the generator/receiver (load) separation requirements and, whenever possible, to utilize cable specifically designed for balanced data circuits.

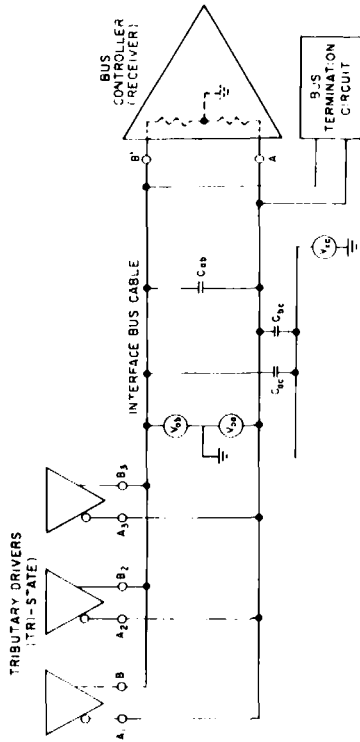


Figure 8 - Cable model

$R_{12a} + R_{12b}$ are usually combined
 $R_{12} = R_{12a} + R_{12b}$; also $R_{12a} = R_{12b}$
 $R_{11} \gg R_{12}$ $R_{13} \gg R_{12}$

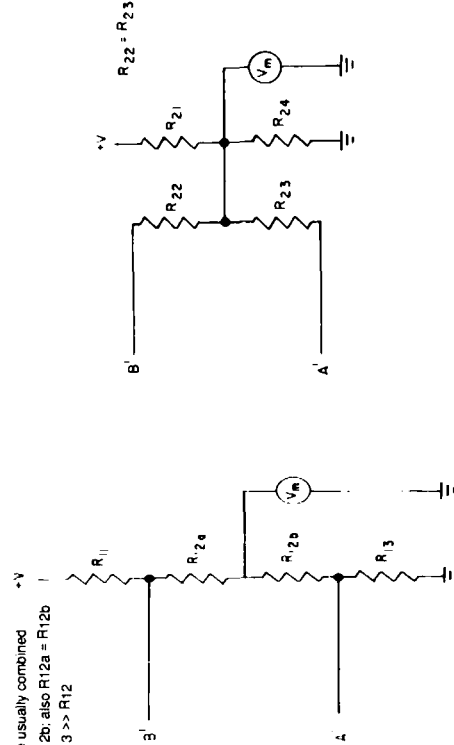


Figure 9 - Terminator circuit 1

4.3 Data rates

The data rate of 38.4 kb/s can result in a system response time within the equivalent of one television frame when the total number of tributaries is less than thirty-two. Higher data rates may be used when the

Figure 10 - Terminator circuit 2

operation of a specific system indicates this need. When higher data rates are used, the device(s) shall first establish communication at 38.4 kb/s. Operation at data rates lower than 38.4 kb/s is expressly prohibited due to the possible confusion of certain data patterns with the BREAK sequence.

cant improvement in the wave shape and a reduction in driving power requirements.

4.2.2 The presence of stray capacitance between the interconnect cable and any adjacent cable (figure 8) can result in interference being coupled to an adjacent cable when a transition occurs that is other than balanced. During normal operation, inter-cable coupling is at a minimum due to the use of a balanced transmission mode along with control of signal risetimes (2-2). When the driving device is placed in a high-impedance state, however, this control is no longer applied and the conductor in the pair that was at a positive value will transition to a less positive value. This transition, being uncontrolled and of an unbalanced type, may be coupled into adjacent cables.

Capacitive coupling of this type can be reduced or eliminated by utilizing shielded cables specifically designed for the transmission of digital data information. Although this approach is practical when installing the interface system in new plants, it may not be possible when working in existing facilities. When utilizing nonshielded cable, the use of an active termination is recommended. An active termination of the type shown in figures 9 and 10 will result in a balanced transition to a voltage that is equal on both conductors of the cable pair. The circuit shown in figure 9 also provides a fail-safe bias on the bus and allows for higher impedance terminations while the circuit shown in figure 10 is balanced with respect to the interface bus and does not introduce a differential bias on the line.

4.2.3 In general, reliable operation of the balanced interface circuit is not particularly sensitive to the presence or absence of the cable termination resistor when operating at 38.4 kb/s. The termination of the cable with a noninductive load in the order of 90 ohms to 250 ohms tends to result in the preservation of the rise time in the generated signal and a reduction of line noise. Caution must be exercised in the value of termination selected as too low a value would result in a reduction in signal amplitude to the point where reliable operation of the system would be affected.

4.1.2 The nominal maximum cable length of 1220 m (4003 ft) is based upon:

- Empirical data for nonloaded, twisted-pair telephone cable with copper conductors 0.5 mm (0.02 in) in diameter terminated in a 100-ohm resistive load;
- Signal rise and fall times equal to or less than 10 microseconds;
- A maximum voltage loss between the generator and receiver (load) of 6 dB.

NOTE - The user is cautioned that the nominal limit of 1220 m does not take into account cable imbalance or common mode noise beyond the limits set in this standard. Operation within the limit of 1220 m should result in a degradation of signal quality that will not exceed a zero-crossing ambiguity of 0.05 unit interval. It is recognized that many applications can tolerate a timing and amplitude distortion greater than this amount and in these cases correspondingly greater cable lengths may be employed. The use of cables specifically designed for the transmission of balanced data signals can also result in the ability to operate over substantially increased cable lengths.

4.2 Cable termination

The characteristics of the cable termination are specified in 2.3.4. The following is intended to be used as additional guidance when considering the operational constraints placed on the system by the termination resistance.

4.2.1 The determination of the type of cable termination utilized and its value must take into account the characteristic impedance of twisted-pair cable which is a function of operating frequency, wire size, wire type, and the kind of insulating materials used. The characteristic impedance of nonloaded, plastic-insulated, twisted-pair telephone cable with copper conductors 0.5 mm (0.02 in) in diameter is in the order of 100 ohms when measured with a 100-kHz sine wave.

The characteristic impedance of any cable typically contains an inductive component which could adversely affect the wave shape over extended cable lengths. Use of a composite R/C cable termination with a time constant of approximately 3 times the propagation delay of the cable may result in a significant