

# Calendar

## March 1996

**Reflector Design — Theory and Practice Seminar**, Embassy Suites, Denver, Colo. Info: TLA Lighting Consultants, 7 Pond St., Salem, MA 01970. *March 18-20, 1996.*

## April 1996

**ICT'96 International Conference on Telecommunications**, The Marmara Hotel, Istanbul, Turkey. Info: Aykut Hocanin or Rusen Meylani, Secretariat, Bogaziçi University, Electrical-Electronic Engineering Dept., Bebek, Istanbul 80815, Turkey. *April 13-17, 1996.*

**National Association of Broadcasters 74th Annual Convention**, Las Vegas

Convention Center, Las Vegas, Nev. Info: NAB, 1771 N St. NW, Washington, DC 20036. *April 15-18, 1996.*

## August 1996

**Siggraph '96**, New Orleans Convention Center, New Orleans, La. Info: Exhibition Management, Hall-Erickson, Inc., 150 Burlington Ave., Clarendon Hills, IL 60514. *August 4-9, 1996.*

## September 1996

**IBC96**, RAI Exhibition and Congress Centre, Amsterdam, The Netherlands. Info: Sarah Campbell, IBC Office, Savoy Place, London, WC2R OBL. *September 12-16, 1996.*

## SMPTE Activities

**SEATTLE, WASH.** — 1996 Advanced Television and Electronic Imaging Conference, Sheraton Seattle Hotel and Towers. *February 1-3, 1996.*

**LOS ANGELES, CALIF.** — 138th SMPTE Technical Conference and World Media Expo, Los Angeles Convention Center, *October 9-12, 1996.*

For more information on these activities contact SMPTE Headquarters:  
(914) 761-1100  
Fax: (914) 761-3115

# Obituaries

**William H. Offenhauser, Jr.**, has died at the age of 91. Offenhauser's career began in 1929 when he joined RCA Photophone as an engineer. Since that time until his retirement in 1969, he held such positions as contractor and vice-president, J. A. Maurer, Inc.; manager, Precision Film Labs; and project engineer, Johns Hopkins University. He also worked on research projects and served as a consultant for Cornell University Medical College and CBS, Inc. A Life Fellow of the Society, in 1977 he was awarded the John Grierson International Gold Medal Award in recognition of his efforts in improving techniques and equipment have greatly enhanced the use of 16mm sound documentary films throughout the world.

**Don V. Kloepfel** has passed away at the age of 84. He became an active member of the Society in 1951, while working as a projectionist at Technicolor, Inc. He later became the projection supervisor at General Film Laboratories, and ultimately retired from Deluxe General in the position of head of projection and projection services. Upon his retirement in 1976, Kloepfel formed his own consulting business, Don V. Kloepfel and Associates. He was given the Citation for Outstanding Service to the Society in 1977 for his efficient performance of the projection services for national conferences and section activities on the West Coast over a period of many years. He was also a Life Fellow.

**William F. Cotton** died July 15, 1995; he was 80 years old. Cotton began his film career in London at United Theatres and Films, and then at the National Screen Film Service. He then became engineer in charge of publicity films at Morton Park Studios in Morton Surrey, a position he held until he started his own business in 1960.

**Joseph B. Epperson** died October 9, 1995, at the age of 85. Epperson, who had been a member of the Society since 1949, was working as chief engineer at radio station WNOX in Knoxville Tenn., when it was bought by Scripps-Howard Broadcasting in 1935. In 1956, he was named engineering vice-president of Scripps-Howard, and he held this position until his retirement in 1975. During World War II, Epperson served as a member of the Operational Research Group in the Pentagon, which offered a consulting engineering service to the chief signal officer on matters of radar and communication.

**Lawrence J. Messenger** passed away on July 7, 1995. He was 64. Messenger

joined the Pennsylvania Public Television Network as chief engineer when the network was created in 1969; he remained in that position until his retirement 20 years later. Prior to his work with PPTN, he served as assistant chief engineer at WHYY in Philadelphia. He had been a member of the SMPTE since 1959.

**William H. Willis** has died at the age of 52. First as president and subsequently as consultant at Willis Engineering, Inc., Thornton, Pa., he served as a consulting engineer for approximately 130 industrial and teleproduction accounts. Willis had been a member of the Society since 1980.

# Errata

Re: "Video — For Here or to Go? Using Compression and Packetization in Television Production Facilities" (Point of View) by David J. Bancroft, October 1995 *Journal*, p. 677

Please note that Fig. 12 is not correct, as it is a repeat of Fig. 11. The correct version of Fig. 12 is reprinted below. We regret this unfortunate error.

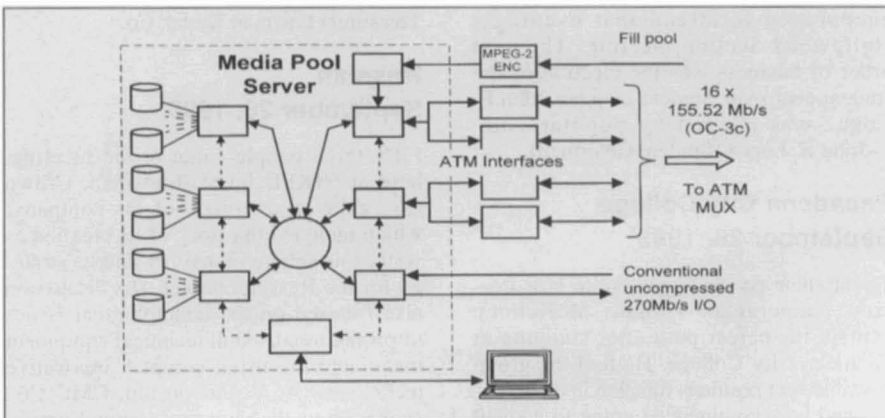


Figure 12. Server for packetized/compressed video edit suite.