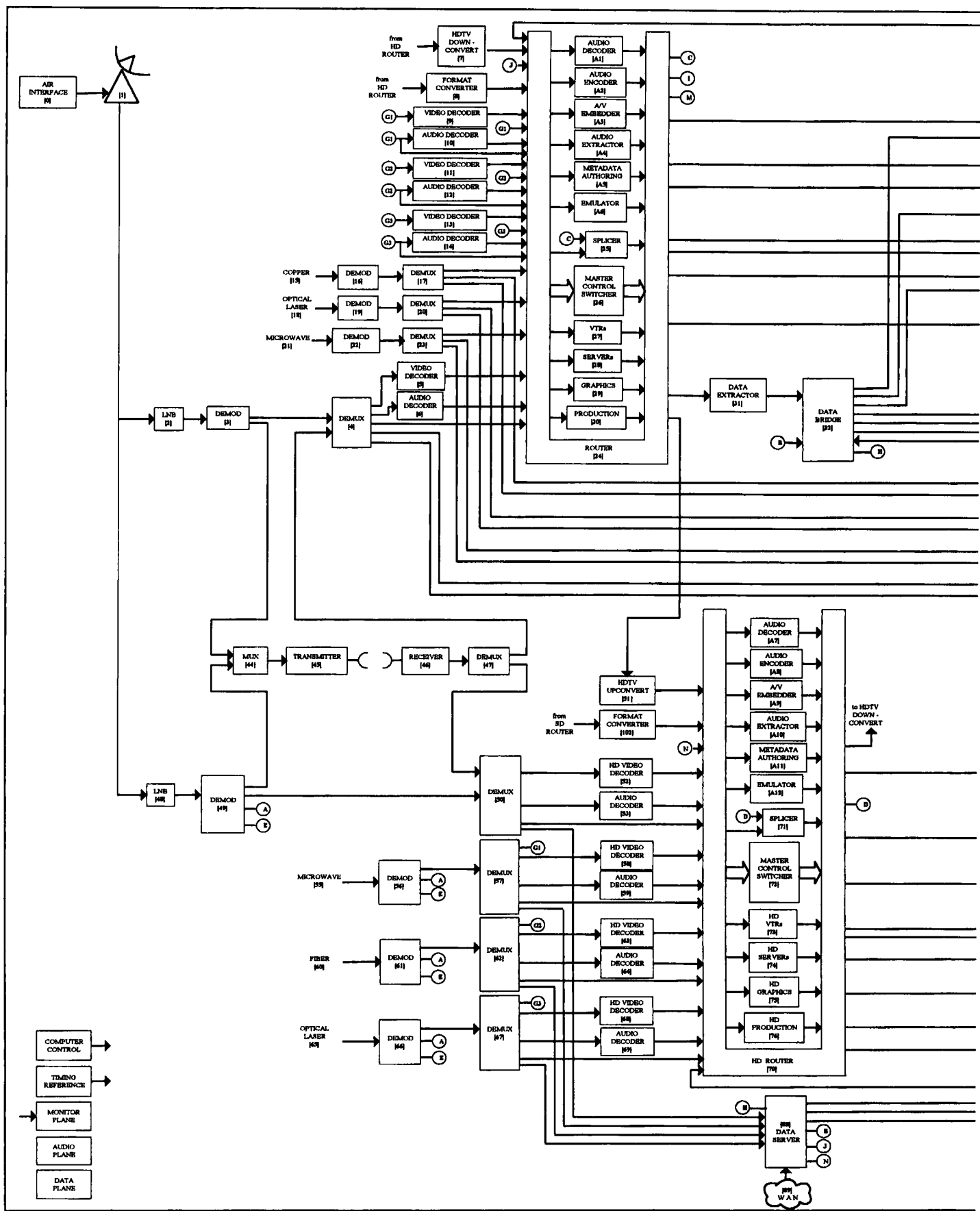
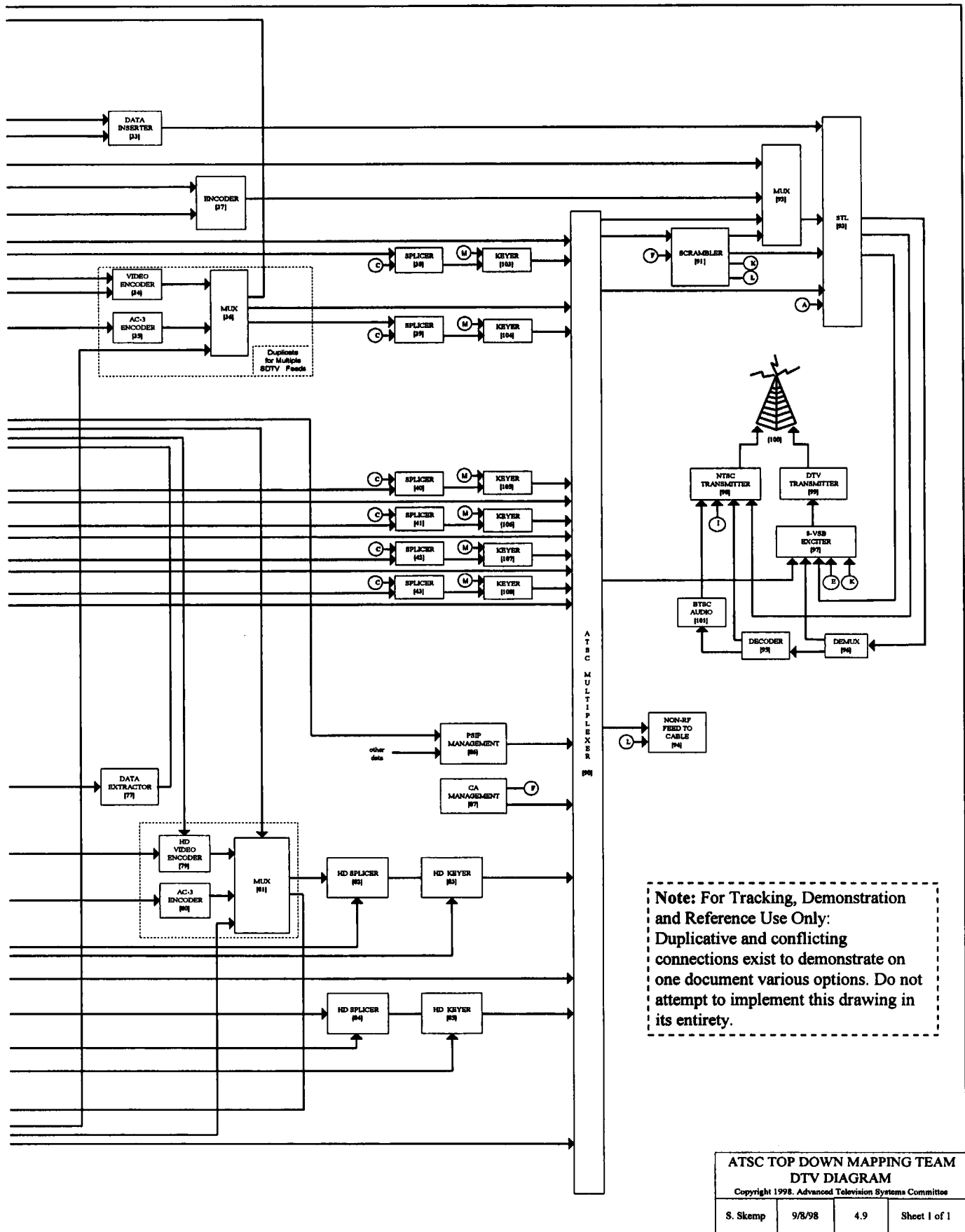


Attachments of Drawings

<i>Attachment A</i>	Top Down Map Signal Plane (DTV Diagram)
<i>Attachment B</i>	Tower of Router
<i>Attachment C</i>	Data Plane
<i>Attachment D</i>	Audio Plane
<i>Attachment E</i>	Control Plane
<i>Attachment F</i>	Timing Plane
<i>Attachment G</i>	Monitor Plane



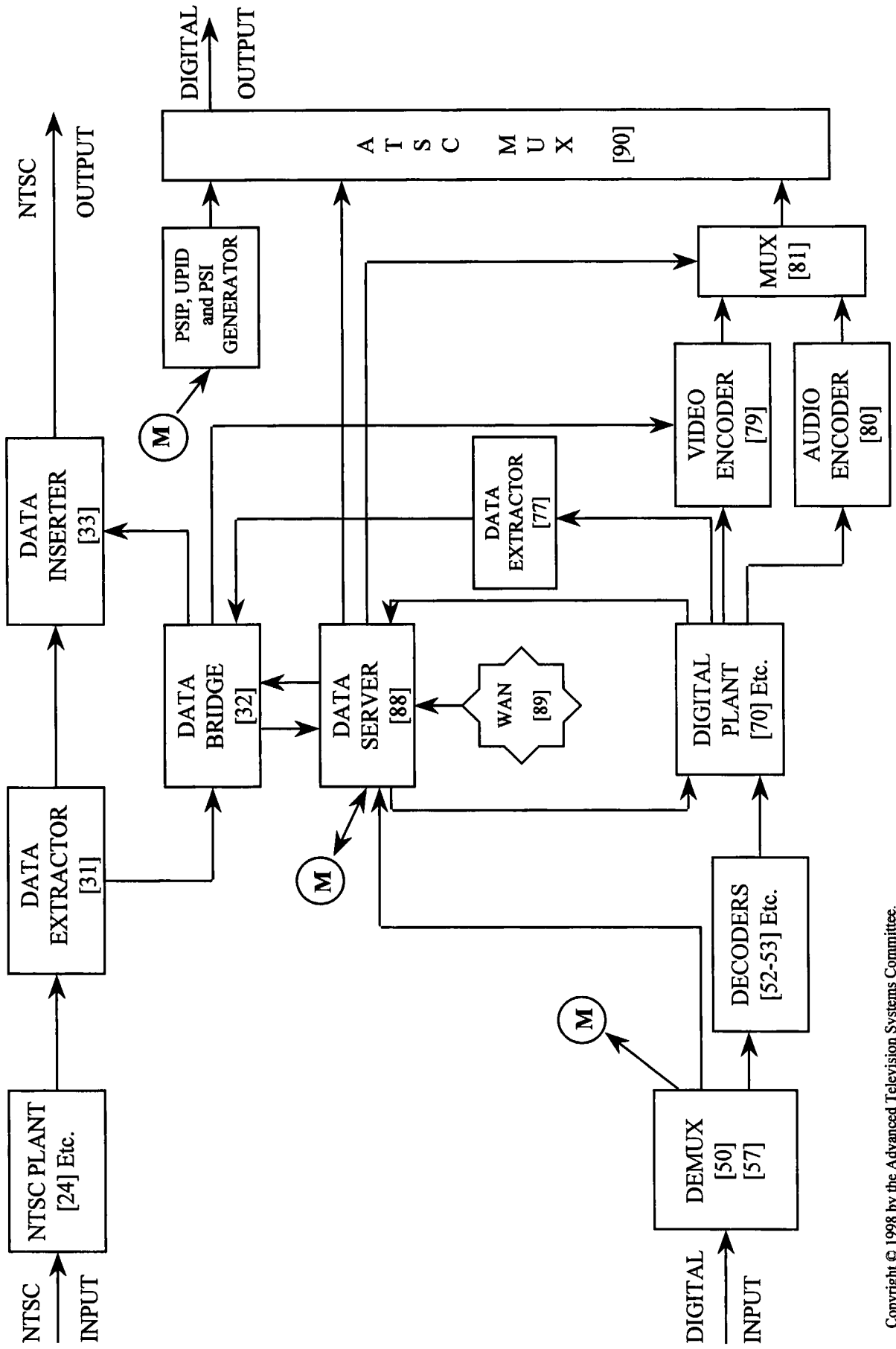


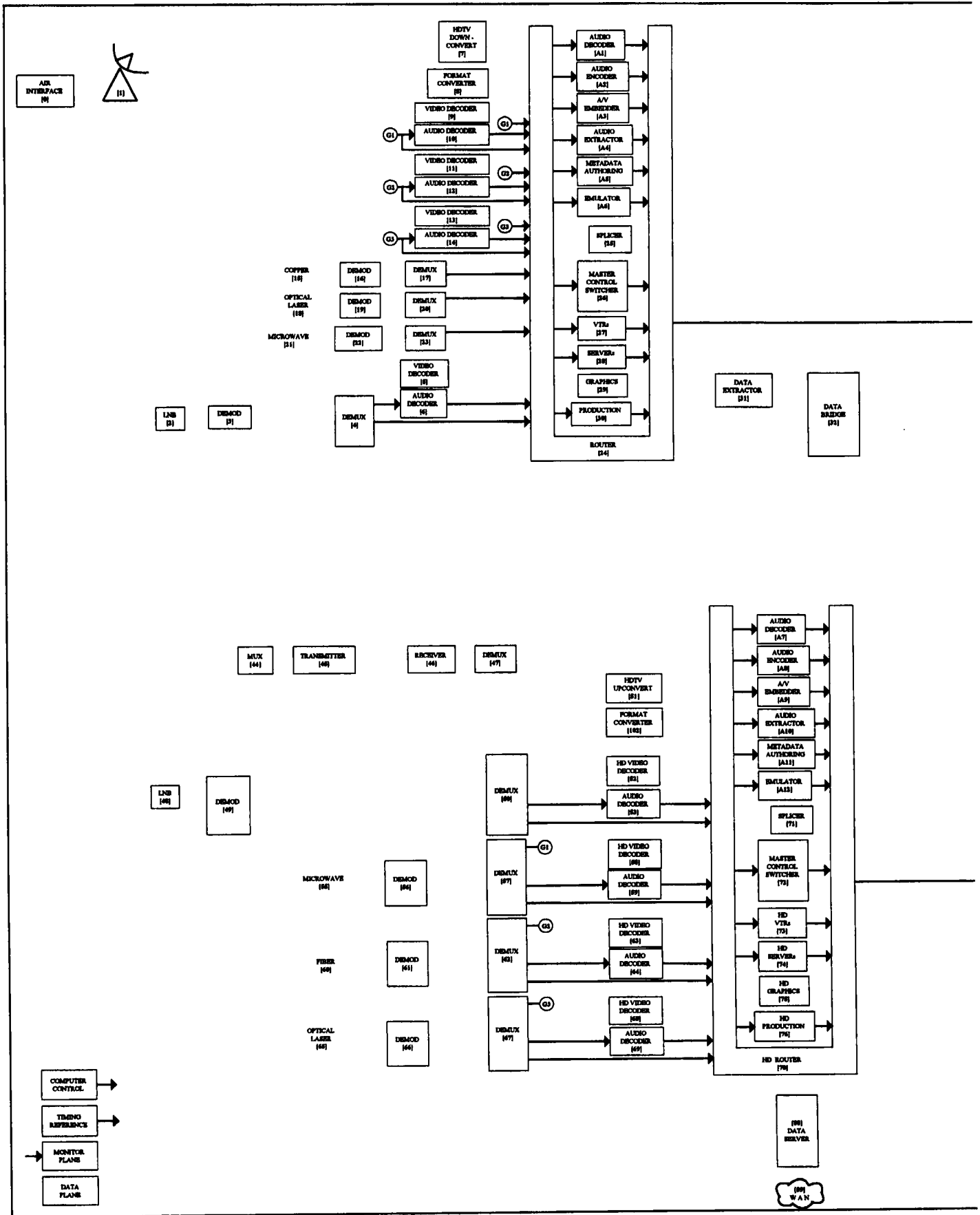
ATSC TOP DOWN MAPPING TEAM
 DTV DIAGRAM
 Copyright 1998, Advanced Television Systems Committee
 S. Skemp 9/8/98 4.9 Sheet 1 of 1

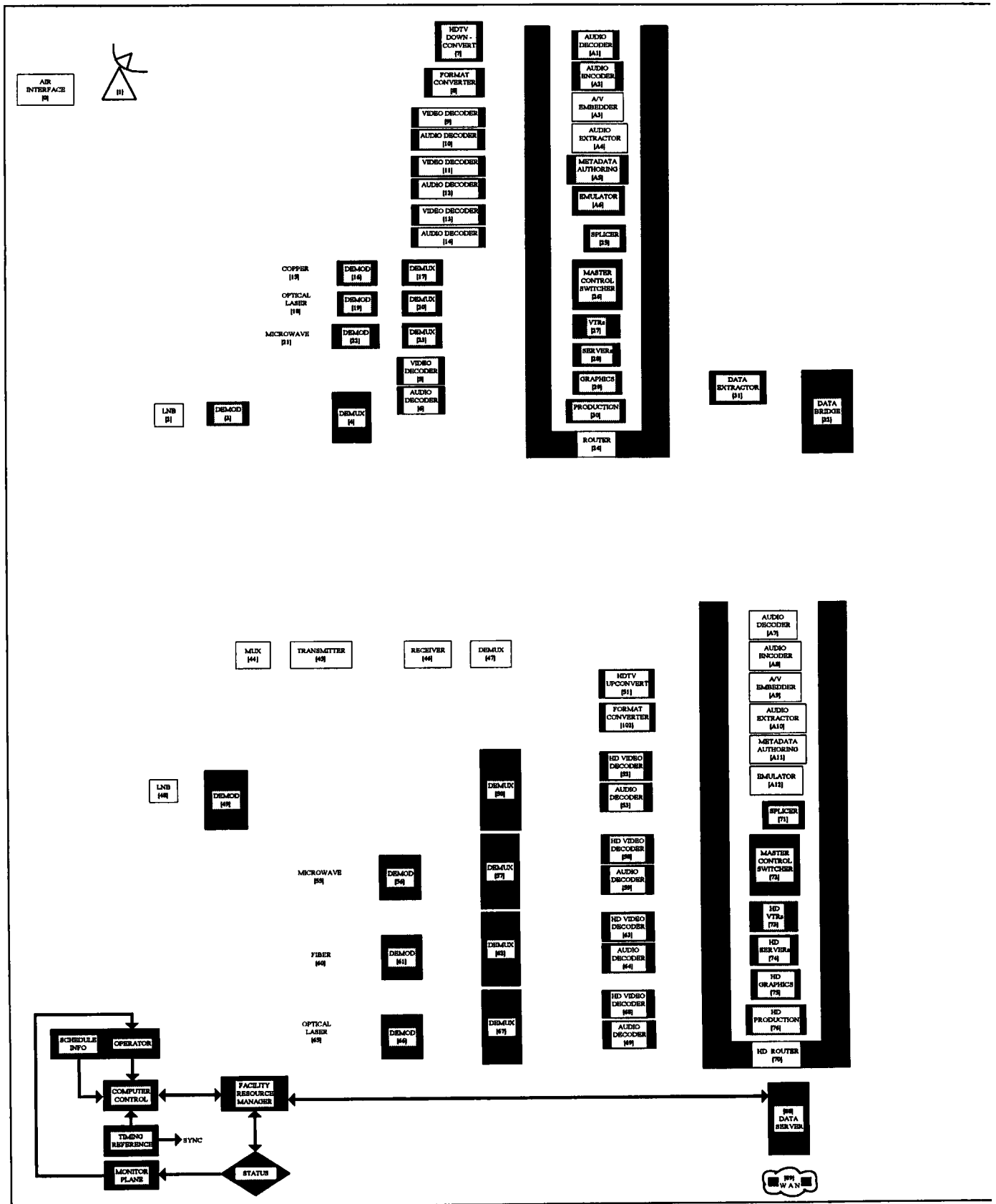
ROUTING TOWER

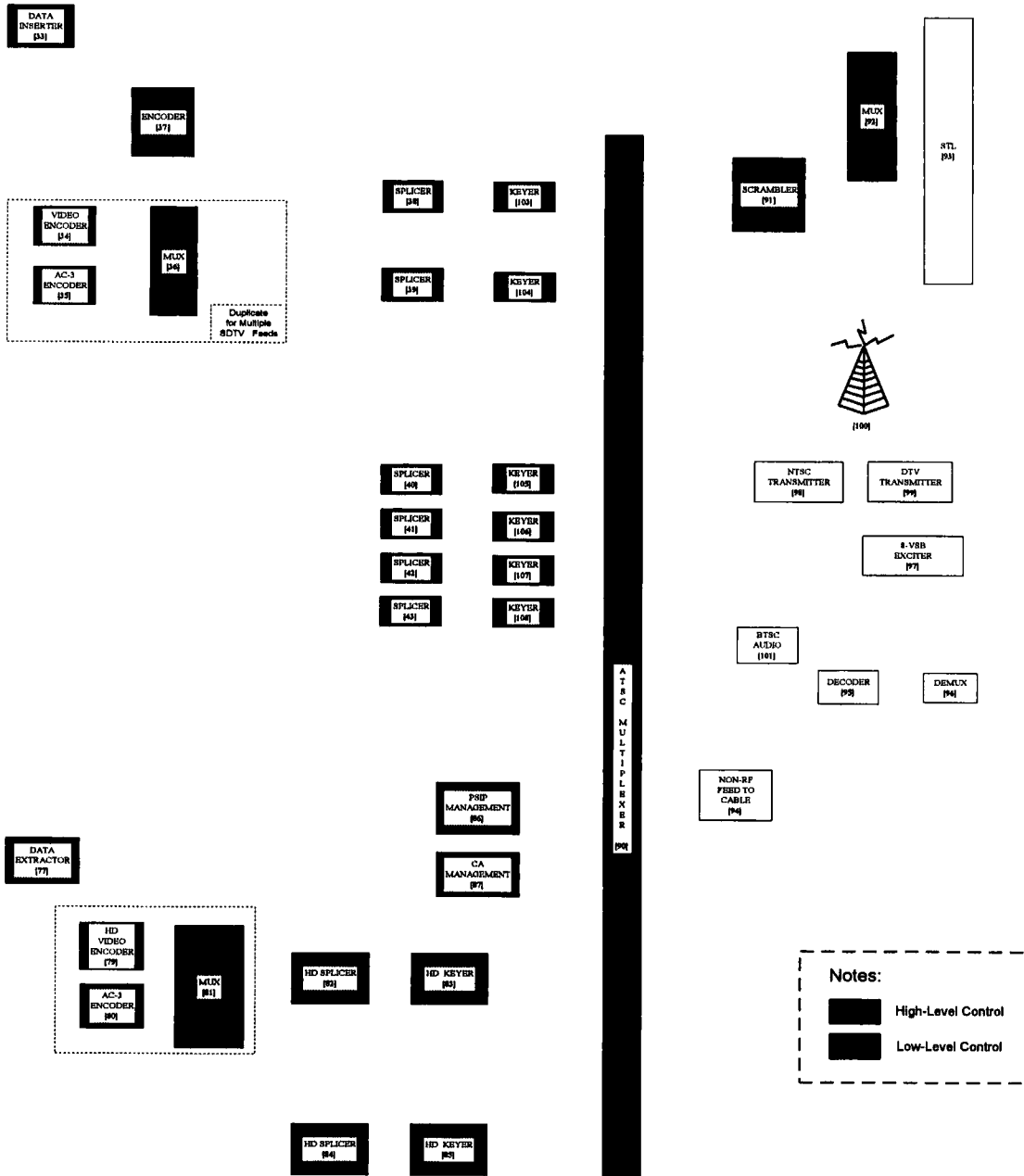
MULTIPLE 'LIGHTLY' COMPRESSED 720P/1080I DIGITAL VIDEO	1.5 Gb/S SERIAL DIGITAL	SMPTE 308 (MPEG2 4:2:2@HL)
MULTIPLE COMPRESSED (50Mb/S) 480X720 DIGITAL VIDEOS	720Mb/s SDI	SMPTE 305 (HD-SDTI)
720p/1080i COMPONENT DIGITAL	540 Mb/s SDI	SMPTE 292M
720P/30 COMPONENT DIGITAL	270Mb/s SERIAL DIGITAL	SMPTE TBD
480P 60 AND 720P/24 COMPONENT (4:2:2) DIGITAL	143Mb/s DIGITAL COMPOSITE	SMPTE RP175 DUAL LINK
'LIGHTLY' COMPRESSED (200-300Mb/s) 720P/1080I DIGITAL VIDEO	9 MHz ANALOG COMPOSITE	SMPTE 308 (MPEG2 4:2:2@HL)
MULTIPLE COMPRESSED (50Mb/S) 480X720 DIGITAL VIDEOS		SMPTE 305 (SDTI)
480X720 COMPONENT DIGITAL		SMPTE 259M
525I COMPOSITE DIGITAL (D2/D3)		SMPTE 259A
NTSC		SMPTE 170M

TOP-DOWN DATA PLANE





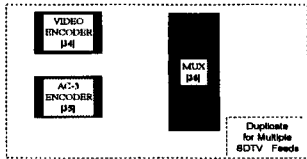




ATSC TOP DOWN MAPPING TEAM CONTROL PLANE <small>Copyright 1998, Advanced Television Systems Committee</small>			
S. Skemp	9/3/98	6.2	Sheet 1 of 1

DATA
INSERTER
[31]

ENCODER
[37]



SPLICER
[38]

KEYER
[103]

SPLICER
[39]

KEYER
[104]

SPLICER
[40]

KEYER
[105]

SPLICER
[41]

KEYER
[106]

SPLICER
[42]

KEYER
[107]

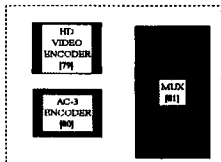
SPLICER
[43]

KEYER
[108]

PSIP
MANAGEMENT
[36]

CA
MANAGEMENT
[37]

DATA
EXTRACTOR
[71]



HD SPLICER
[62]

HD KEYER
[61]

HD SPLICER
[64]

HD KEYER
[65]

A
T
S
C
M
U
L
T
I
P
L
E
X
E
R
[60]

SCRAMBLER
[11]

MUX
[91]

STL
[92]



NTSC
TRANSMITTER
[98]

LTV
TRANSMITTER
[99]

VIDEO
ROUTER
[97]

BTSC
VIDEO
[101]

DECODER
[95]

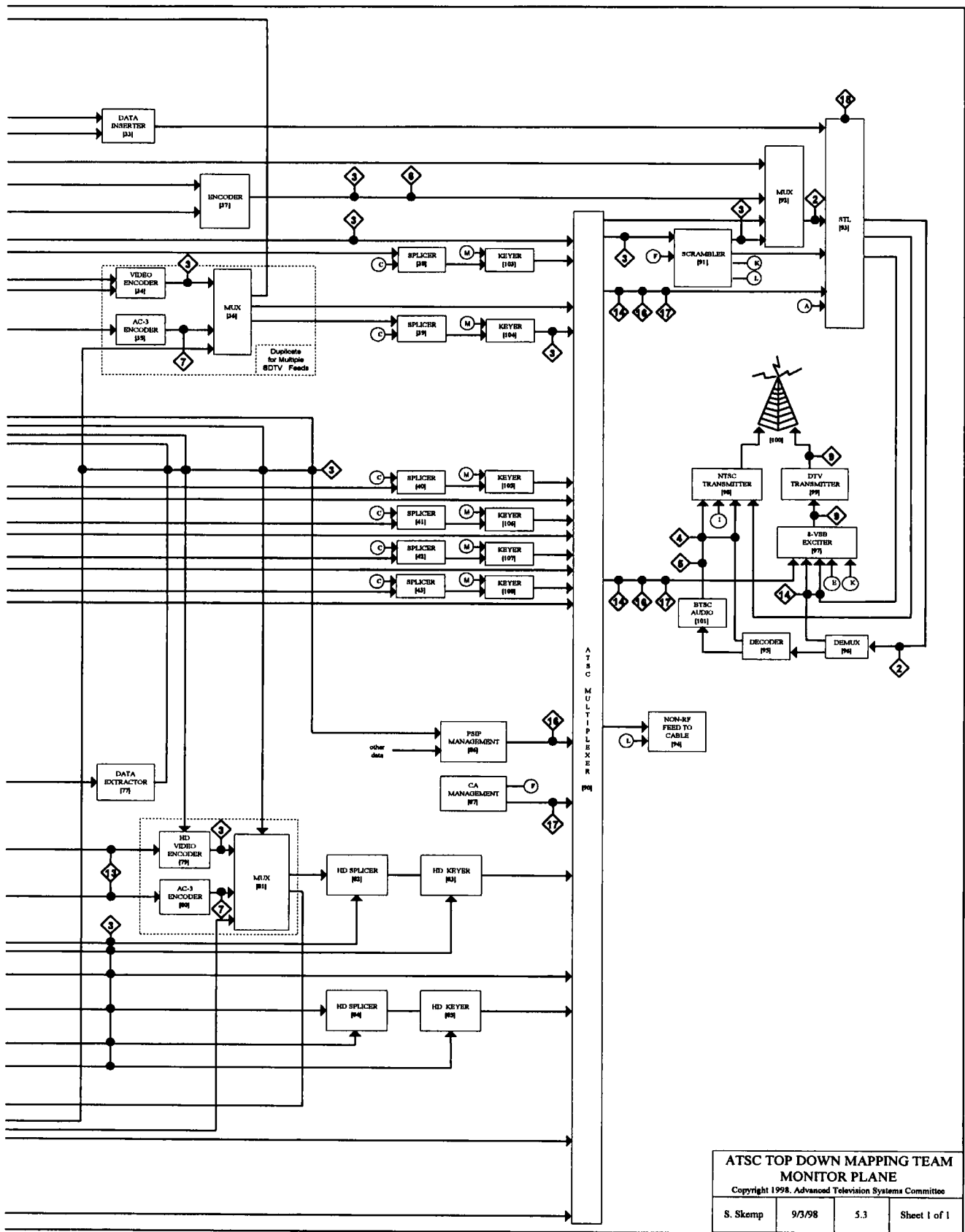
DEMUX
[96]

NON-REF
FEED TO
CABLE
[94]

Notes: Reference Signal Input -
Black Burst with Time Code
+ Five Frame Count. Pending
revision of SMPTE RP-154.

ATSC TOP DOWN MAPPING TEAM
TIMING PLANE
Copyright 1998, Advanced Television Systems Committee

S. Skemp	9/3/98	8.2	Sheet 1 of 1
----------	--------	-----	--------------



ATSC TOP DOWN MAPPING TEAM
 MONITOR PLANE
 Copyright 1998, Advanced Television Systems Committee

S. Skemp	9/3/98	5.3	Sheet 1 of 1
----------	--------	-----	--------------