

SMPTE Engineering Committees Meet in Cypress, Calif.

Neil Neubert and JVC Professional Products in Cypress, Calif., served as hosts for the quarterly meetings of the SMPTE Engineering Committees. Over 100 committee members attended the week-long session held December 7 to 11, 1998 (Figs. 1 and 2).

The meetings featured the debut of the SMPTE portable local area network to interconnect attendees' laptop computers. Identified as "SMPTE-Road," the HP Omnibook 7100 laptop computer uses the Windows NT Server 4.0 operating system with 10Base T Ethernet connections (Fig. 3). The Ethernet hubs provided connectivity for up to 100 participants. The room layout is shown in Fig. 4.

The network included a router and external 56 kbit/sec modem with dial-up connection to an Internet service provider. Participants had access to all Internet facilities including the world wide web, file transfer protocol, and e-mail. This experimental system was deemed a success and will be used at future Engineering Committee meetings. Additionally, a JVC-supplied service duplicated all of the documents on the server computer to CD-ROMs, which were distributed to all participants.

Client laptop computers included PC-types with Windows 95, Windows 98, Windows NT Workstation, and Windows NT Server operating systems plus several Macintoshes. Laptops required a 10Base T Ethernet card plus a TCP/IP stack.

— Carlos V. Girod, Jr., P.E.
Photographs by Neil Neubert



Figure 1. David Fibush chairs the Committee on Compression Technology, C24, meeting.

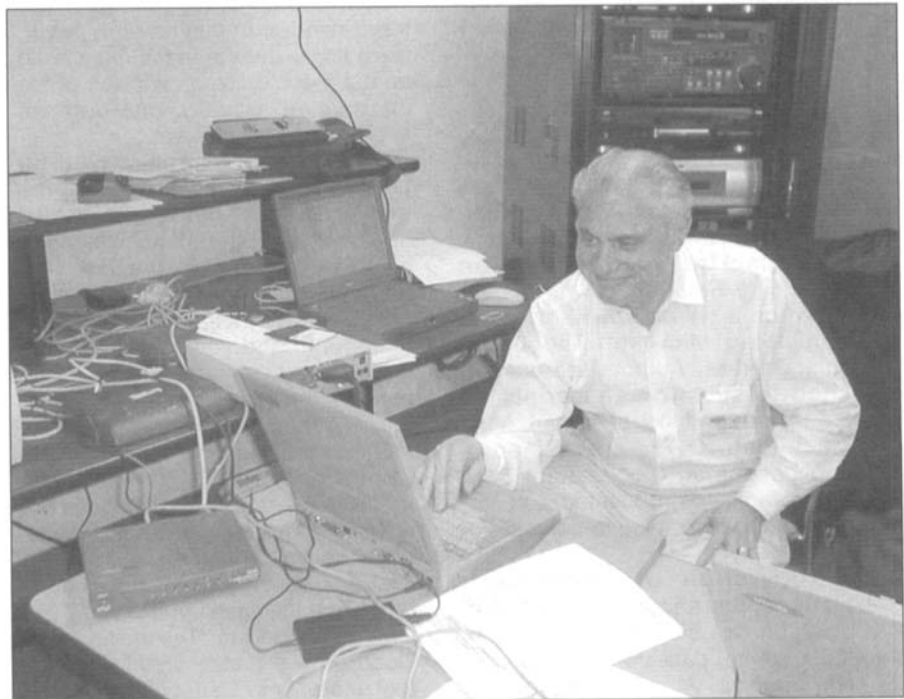


Figure 2. Carl Girod, SMPTE Director of Engineering, at a client's laptop computer. The server laptop is shown top center.

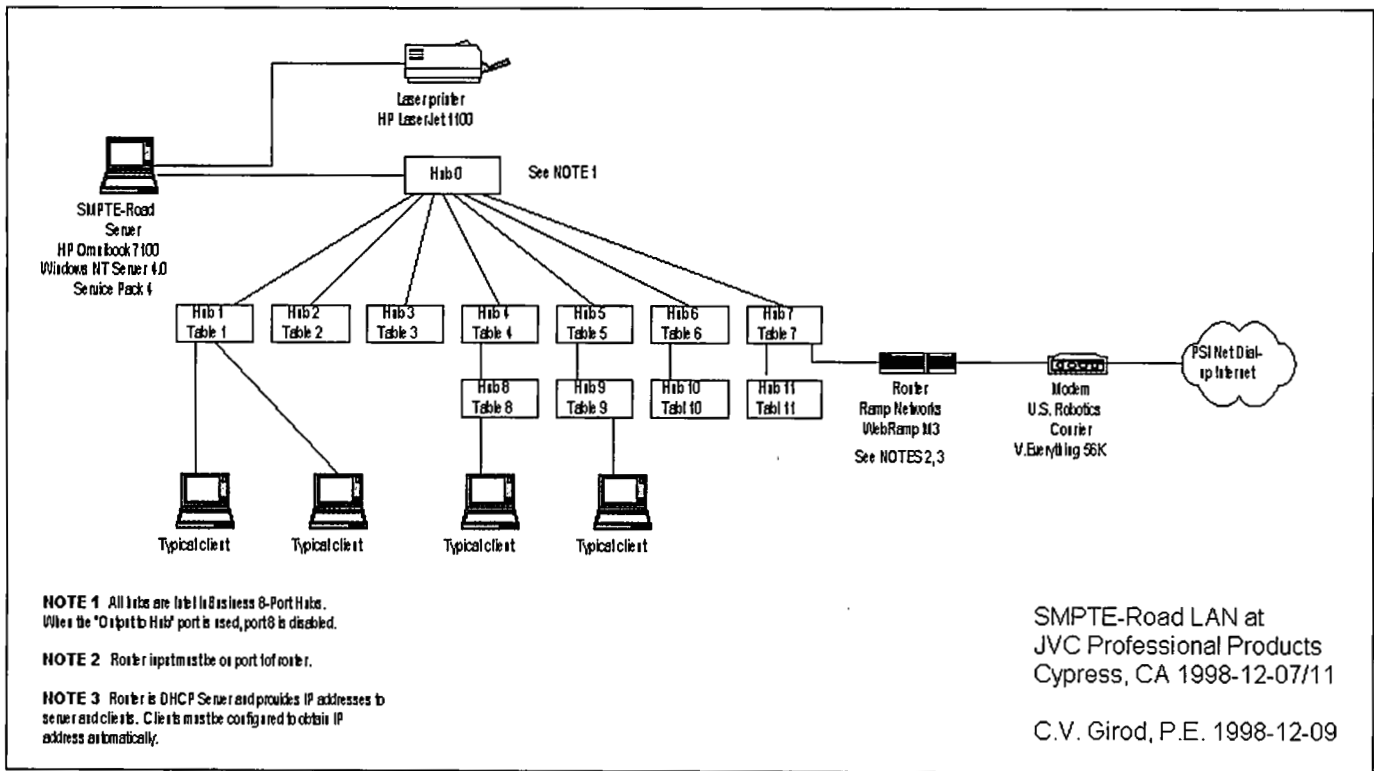


Figure 3. Block diagram of portable Local Area Network.

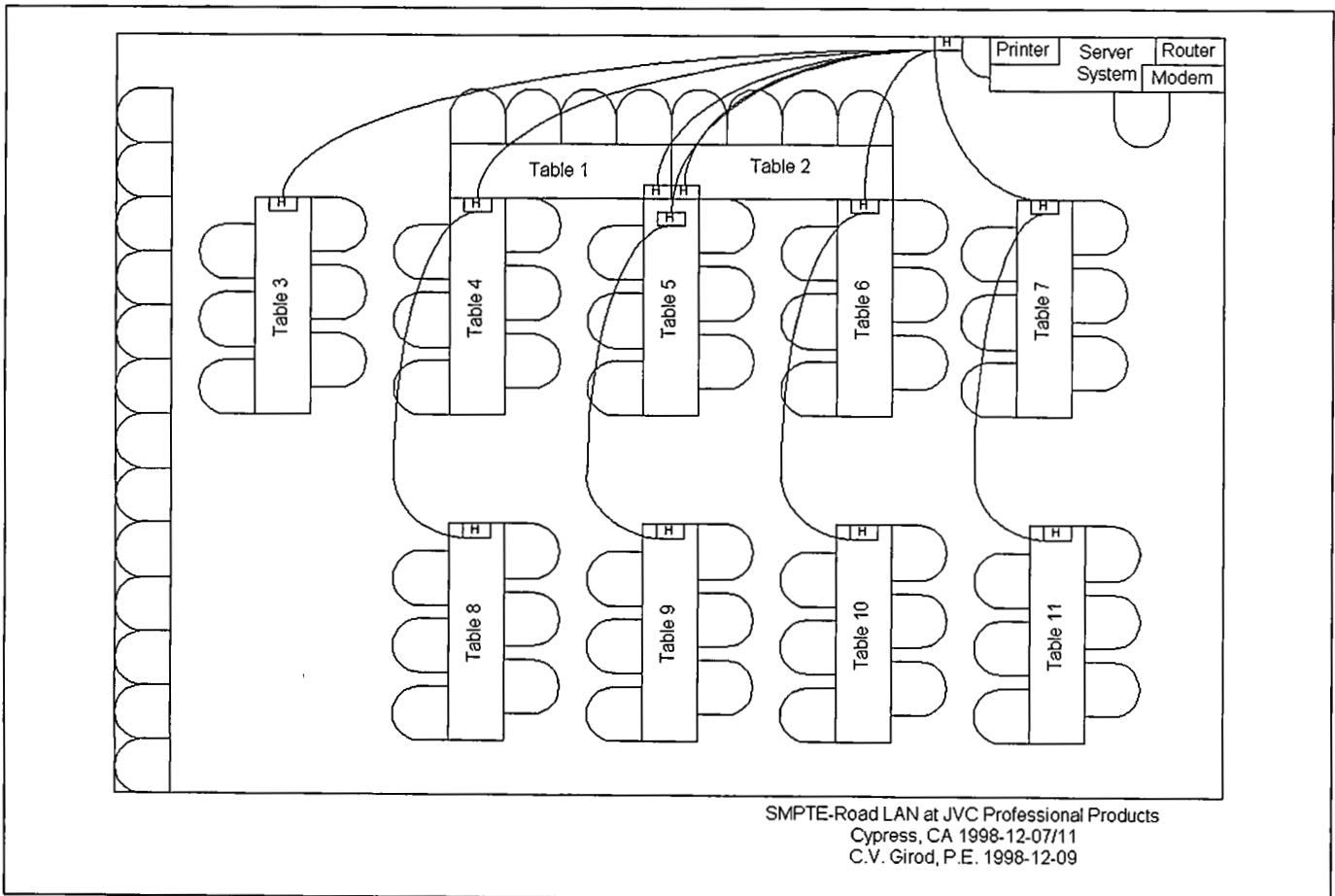


Figure 4. Floor plan of layout and cabling.



INTRODUCING

Three titles for Video Imaging Professionals

Principles of Digital Audio & Video

Video markets, including television, telecom, and computers are experiencing an exciting transition from analog to digital technology. TV-style motion video, now digital, is appearing in new venues such as the digitally interactive Internet. This comprehensive, clearly written book provides practicing and future system engineers with a firm grounding in digital technology—focusing on digital audio and video in particular—and shows how it applies to all fields. Published in 1998 by Artech House.

Members \$63.00

Nonmembers \$75.00

Video Camera Technology

Authored by a pioneer and leading authority in broadcast and video technology, this comprehensive examination of video camera technology and applications covers the fundamentals and latest advances in cameras ranging from consumer camcorders to state-of-the-art professional broadcast models. Focusing on the latest digital technology used in today's cameras, this book is the first to cover camera technology as it applies to a broad range of fields including broadcasting, computers, and telecommunications. Broadcast engineering professionals, electrical engineers, and computer scientists will appreciate this book's clarity, detail, and authoritativeness. Published by Artech House in 1998.

Members \$63.00

Nonmembers \$75.00

Digital Video Communications

This comprehensive book provides you with a solid understanding of the applications and supporting technologies associated with digital video communications, and shows you how to provide reliable, flexible, and robust video transmission over various networks. Includes in-depth discussions of new and emerging applications of digital video communications to new digital video compression and decoding techniques. Published by Artech House in 1997.

Members \$58.00

Nonmembers \$69.00

