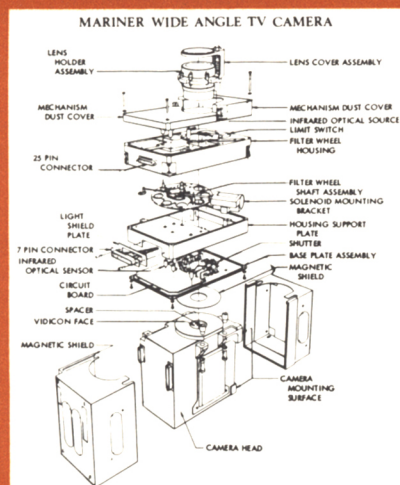
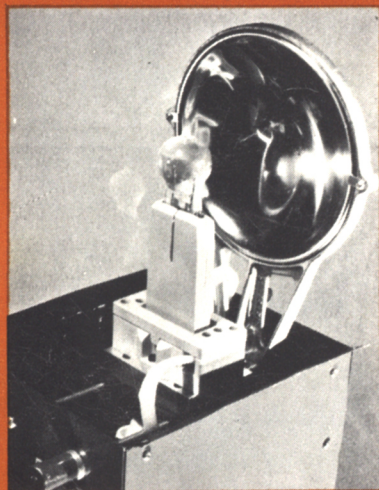


SMPTE Journal

Publication of the Society of Motion Picture and Television Engineers



- TV Systems and Vidicons on NASA Space Probes
- Video-Assisted Film Editing System
- Videotape Editing for Film Post-Production
- Liquids for Full-Immersion Printing Process
- Use of Single-Ended Discharge Lamps
- SMPTE News and Departments



SPECIAL REPORT
Report on the SMPTE
Montreal/Toronto/Rochester
Mini-Conference April 23-25, 1982, Montreal
Compte-Rendu de la Mini-Conférence
Montréal/Toronto/Rochester
de la S.M.P.T.E. tenue
à Montréal, du 23 au 25 Avril 1982



VOLUME 91 • NUMBER 6



JUNE 1982