

Figure 1 — Dimensions common to all simple cores

Table — Variable dimensions of simple cores

Designation	Dimension		mm	in
	A	B		
8 x 50	A		7.9 -0.5	0.31 -0.02
	B		50.0 ± 0.5	1.97 ± 0.02
16 x 50	A		15.9 -0.5	0.62 -0.02
	B		50.0 ± 0.5	1.97 ± 0.02
16 x 75	A		15.9 0	0.62 0
	B		75.0 +2.0 -1.0	2.95 +0.08 -0.04
16 x 100	A		15.9 -0.5	0.62 -0.02
	B		100.0 ± 1.0	3.94 ± 0.04
17.5 x 100	A		17.4 0	0.68 0
	B		100.0 ± 1.0	3.94 ± 0.04
35 x 50	A		34.9 0	1.37 -0.04
	B		50.0 ± 0.5	1.97 ± 0.02
35 x 75	A		34.9 -1.0	1.37 -0.04
	B		75.0 +2.0 -1.0	2.95 +0.08 -0.04
35 x 100	A		34.9 0	1.37 -0.04
	B		100.0 ± 1.0	3.94 ± 0.04
65 x 75	A		64.9 -1.0	2.56 -0.04
	B		75.0 +2.0 -1.0	2.95 +0.08 -0.04
70 x 75	A		66.9 -1.0	2.75 -0.04
	B		75.0 +2.0 -1.0	2.95 +0.08 -0.04

Dimensions in millimetres (inches)

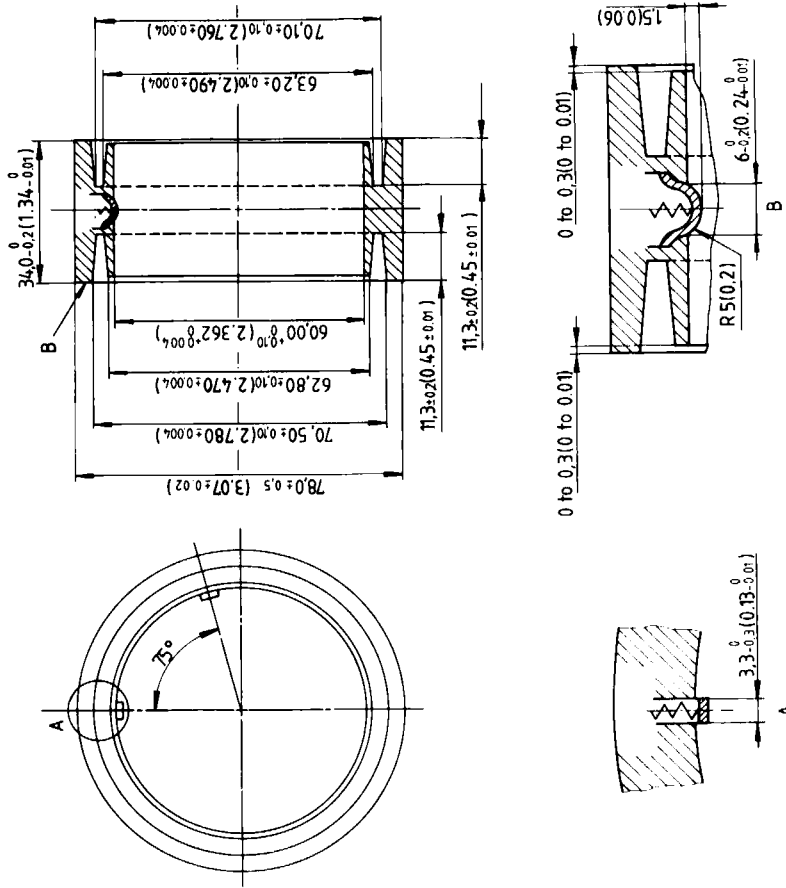


Figure 3 — Dimensions for cores with light lock groove

Dimensions in millimetres (inches)

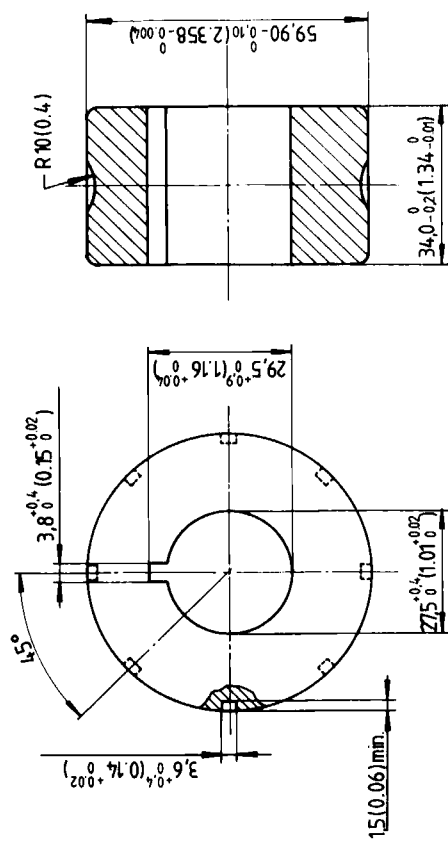


Figure 2 — Dimensions for intermediate cores